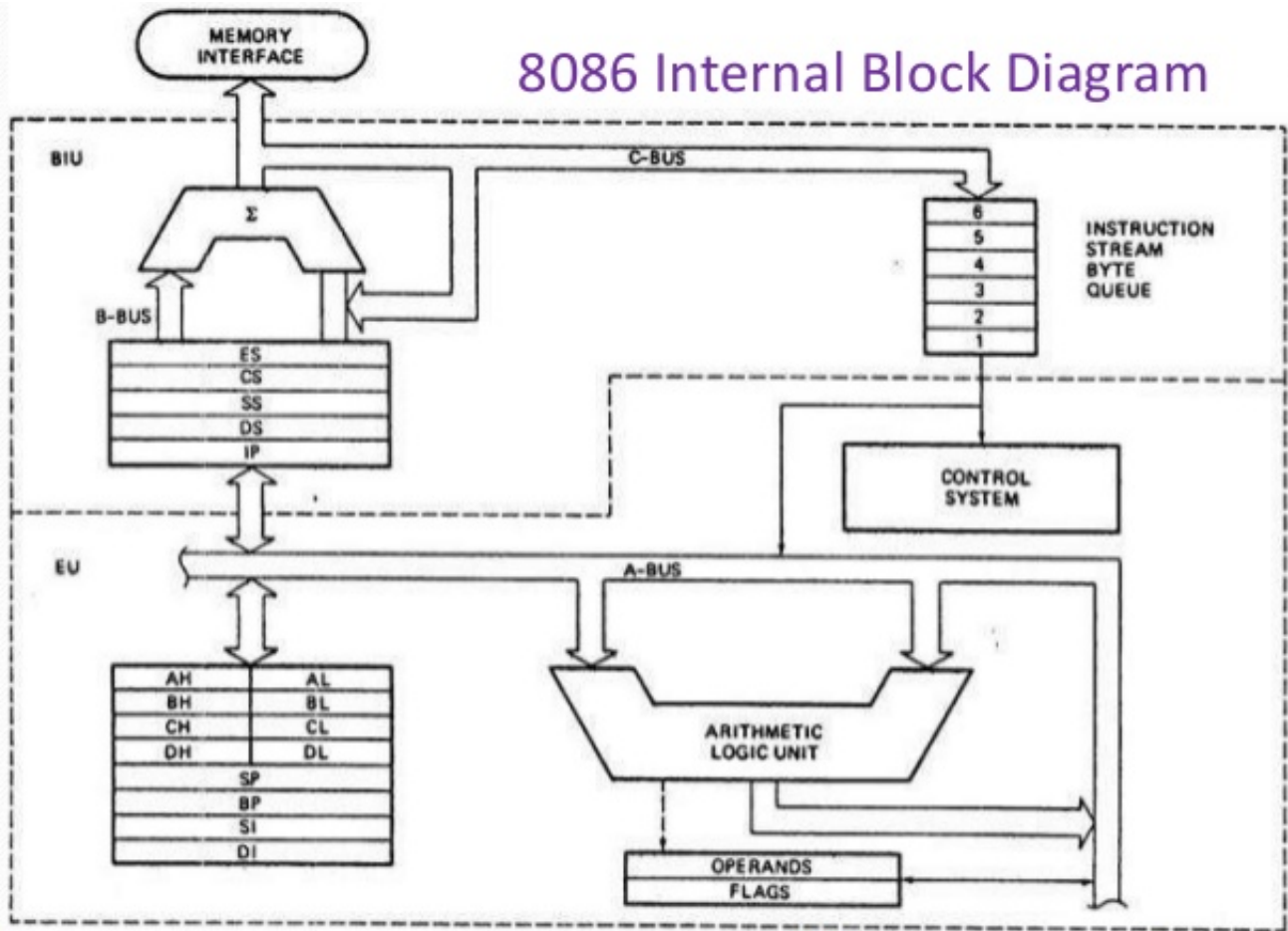


8086 Internal Block Diagram



Download ebook : free ebooks microprocessor and interfacing by douglas hall free download pdf for download in pdf, mobi, epub, html for amazon kindle and other ebooks microprocessor and

Microprocessors and Interfacing: . Douglas V. Hall, Andrew L . loop mainline memory location microcomputer microprocessor modules MOV AX offset Opcode Opcode .

Microprocessor and interfacing by douglas v hall ebook - File size: 2083 Kb Version: 4.4 Date added: 3 Sep 2017 Price: Free Operating systems: Windows XP/Vista/7/8/10 MacOS Downloads: 5210

microprocessor interfacing and the 68000 Download microprocessor interfacing and the 68000 or read online books in PDF, EPUB, . Douglas V.

SOLUTION OF MICROPROCESSOR AND INTERFACING BY DOUGLAS V HALL PDF SOLUTION OF MICROPROCESSOR AND INTERFACING BY DOUGLAS V HALL Download Sat, 07 Apr 2018 23:13:00 GMT solution of ef00dfc3e6

[Edirol Hyper Canvas Vsti Dxi V1.53](#)

[pes 2011 high compressed kgb in rar](#)

[sohar jonno c niton pdf 48](#)

[Microcontrollers: From Assembly Language to C Using the PIC24 Family ebook rar](#)

[axa comics free download](#)

[donde comprar iphone 5 desbloqueado en estados unidos](#)

[halo nightfall full movie download](#)

[synkronizer 10 0 crack cocaine](#)

[realtek hd audio xp wdm r270 zip](#)

[financial accounting meigs and meigs pdf download](#)